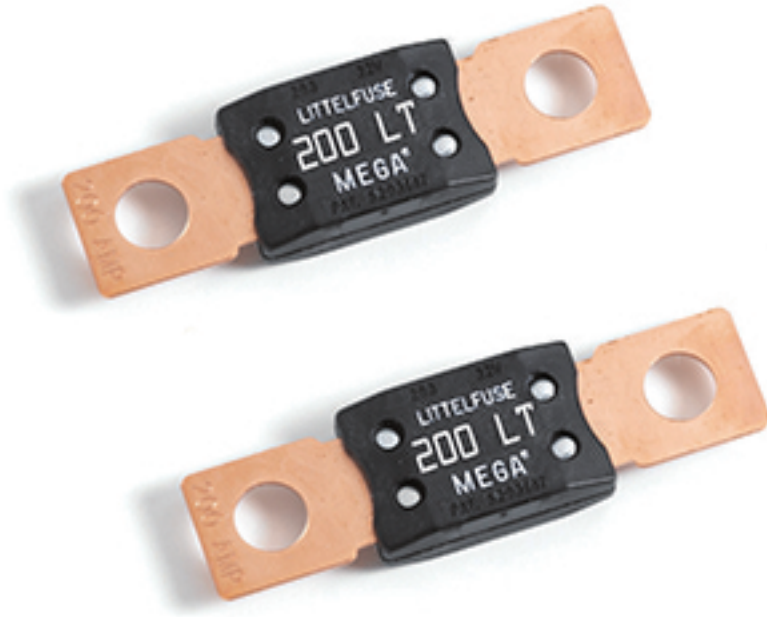


High Current Fuses



MEGA® Low Temperature Fuses

MEGA® Low Temperature Fuse Rated 32V

The MEGA® Fuse is designed for high current circuit protection up to 275A with "Diffusion Pill Technology." The MEGA® Fuse also provides time delay characteristics. Designed and patented by Littelfuse, the MEGA® Fuse is ideal for battery and alternator protection application and other heavy gauge cables requiring ultra-high current protection.

Specifications

Interrupting Rating:	2000A @ 32 VDC
Voltage Rating:	32 VDC
Operating Temperature Range:	-40°C to + 125°C
Housing Material:	PPA-GF33HS
Terminals:	Copper (Silver plated copper available)
	M8 bolts
Mounting Torque:	12-18 Nm M8

RoHS

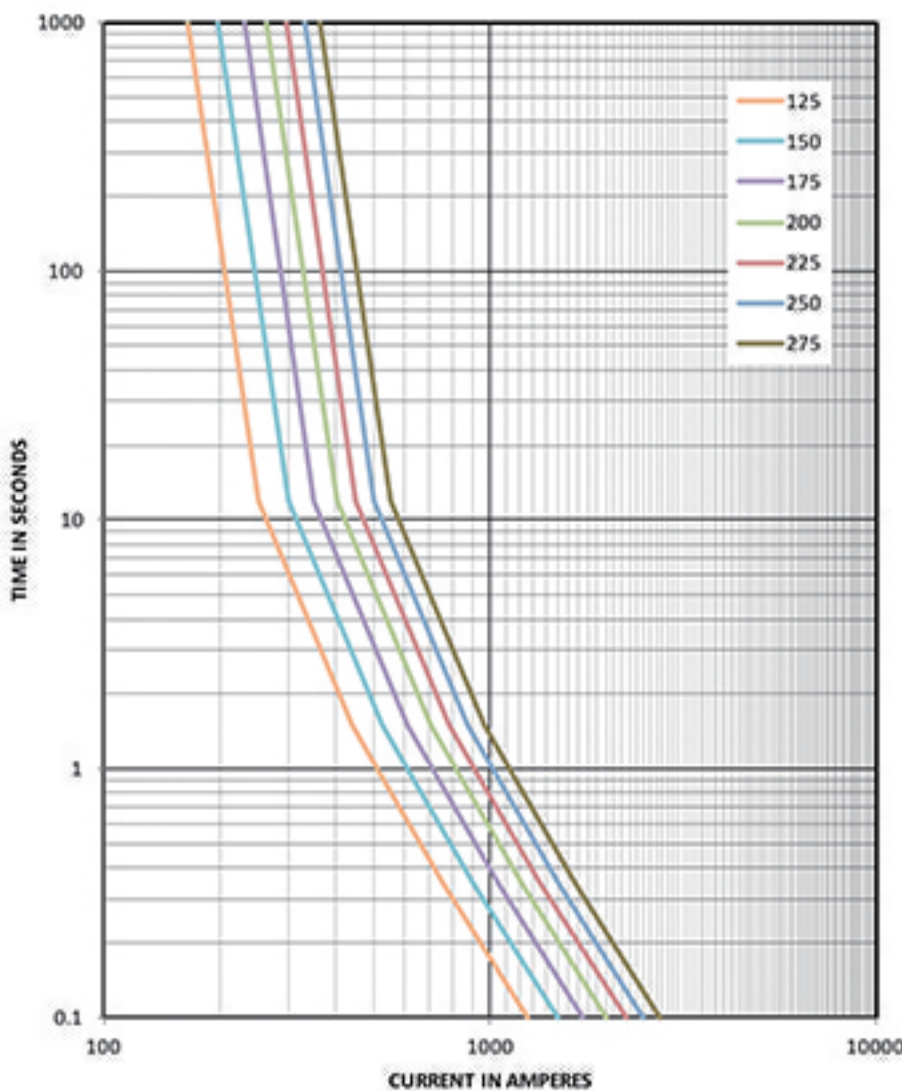
Ordering Information

Part Number	Rating	Package Size	Plating	Bolt Hole Qty
0298125.ZXBLT	125	500	Ag	2
0298xxx.ZXEH-LT	150-275	500	None	2
0298xxx.UX1M8LT	150-275	500	None	1

Time-Current Characteristics

% of Rating	Opening Time Min / Max (s)	
	125	150-275
100	4 hrs / -	4 hrs / -
135	120 s / 1800 s	120 s / 1800 s
200	1 s / 50 s	1 s / 150 s
350	0.300 s / 5 s	0.300 s / 5 s
600	0.100 s / 1 s	0.100 s / 1 s

Time-Current Characteristic Curves

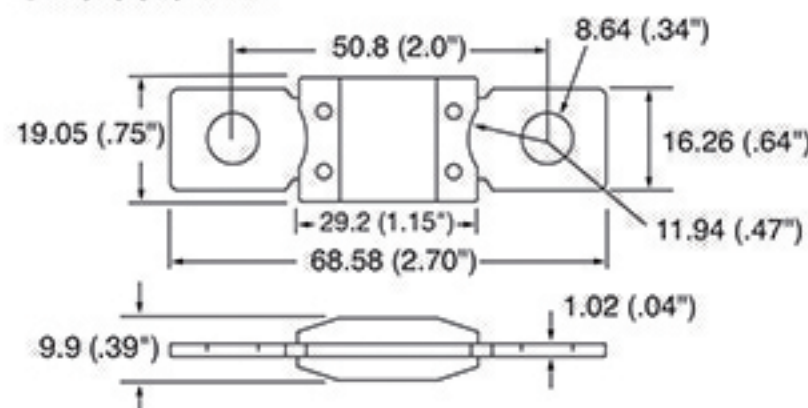


Ratings

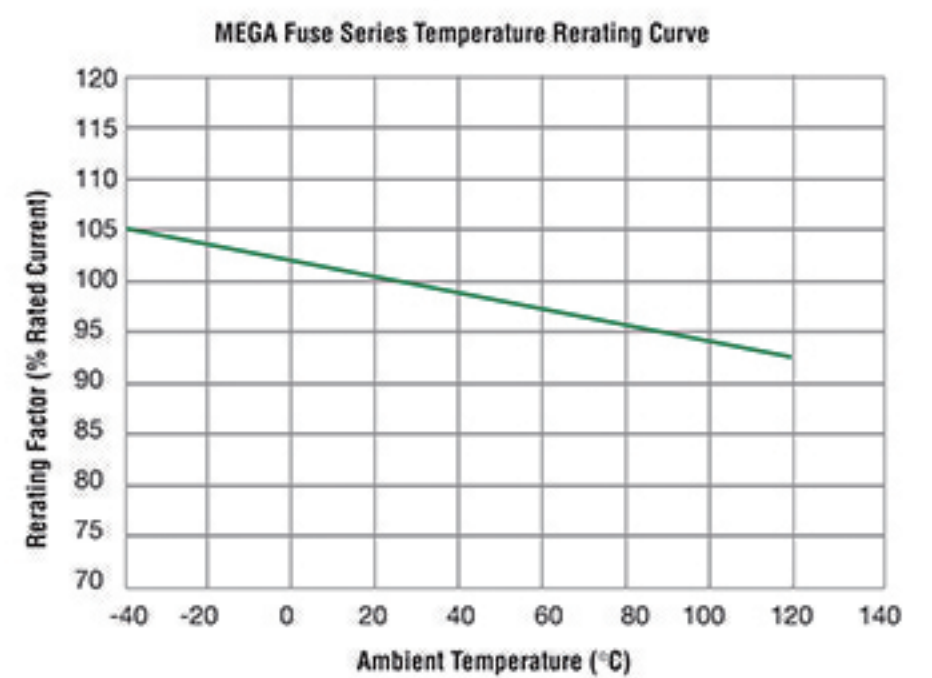
Part Number	Current Rating (A)	Font Color	Typ. Voltage Drop (mV)	Cold Resistance (mΩ)	I ² t (A ² s)
0298125.ZXBLT	125	White	67	0.330	57000 A
0298150.ZXEH-LT	150	White	62	0.258	59000 A
0298175.ZXEH-LT	175	White	65	0.232	123000 A
0298200.ZXEH-LT	200	White	61	0.214	140000 A
0298225.ZXEH-LT	225	White	57	0.177	317000 A
0298250.ZXEH-LT	250	White	54	0.144	637000 A
0298275.ZXEH-LT	275	White	53	0.122	800000 A

Dimensions

Dimensions in mm



Temperature Derating Curve



Last figure of article no. = packaging code